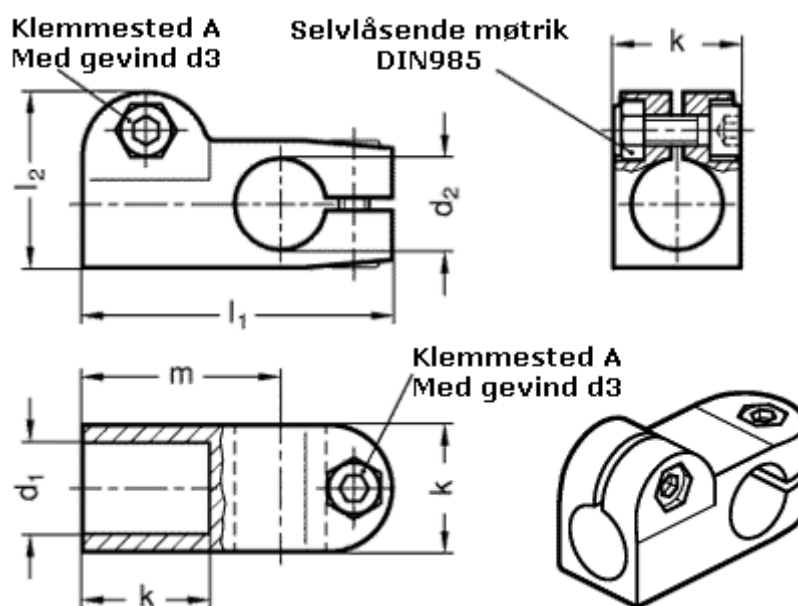


Article number: 20191B20B202NI

Description: E+G

T-angle clamps GN 191-B20-B20-2 -NI

Measures



d1 = B20
d2 = B20
d3 = M 6
k = 25
l1 = 61
l2 = 34.5
m = 39